

Overview

This InCharge pedestal for Level 2 chargers is a flexible solution for every charging location. With its small footprint and multiple configuration options, the AC Level 2 Pedestal is built with adaptability in mind, supporting a variety of fleet use cases and charging needs.

A single compatible AC Level 2 charger can be mounted alone or can be mounted next to, or back-to-back with a second charger. Cable holsters provide a cable management solution for improved appearance and greater ease of use, especially in extreme weather conditions.

Key Benefits

- Multiple configurations for adaptability in various charging locations
- Cable management (with 1 or 2 holsters) lifts charging connectors off freezing or hot pavements and prevents damage from vehicle runover
- Space-saving and compact design for efficient use in tighter spaces
- Indoor or outdoor use
- Mounting hardware included



Level 2 Pedestal
 (shown with ABB Terra AC Wallbox)

Specifications

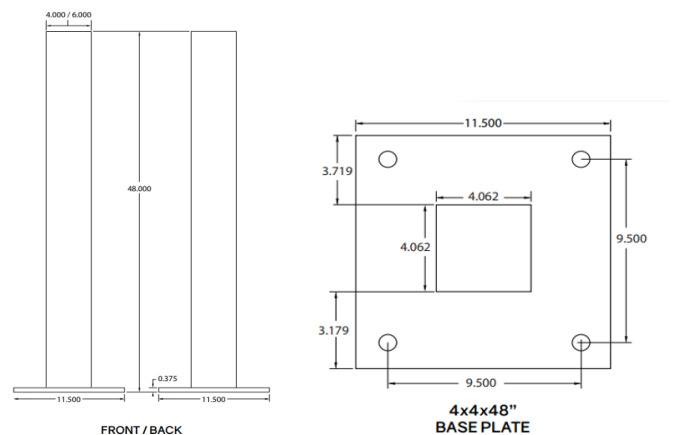
- Dimensions: (D) 11.5 in x (W) 11.5 in x (H) 48 in
- Weight: 20lbs / 9.07kg

Compatible Chargers

- ICE-40A
- ICE-80A
- ABB Terra AC Wallbox

Ordering Information

Description	SKU
ACL2 Single / Back to Back Pedestal	ESA-ACP-B2B
ACL2 Side by Side Mounting Bracket	RMA-ACP-SBSB



Level 2 Pedestal Dimensional Drawings
 (dimensions in inches)