

Overview

This InCharge pedestal offers a simple, economical solution when it is not possible to wall mount compatible DC chargers.

The Core Pedestal is sturdy yet compact, making it useful and versatile for many charging layouts. Cable holsters provide cable management functionality, improving appearance and ease of use, even in extreme weather conditions.

The InCharge Core Pedestal was designed specifically for the ICE-22 V2X (V2G+) and ICE-30 DC Fast chargers.

Key Benefits

- Space-saving and compact design
- Includes 1 or 2 cable holsters
- ADA-compliant height improves accessibility
- Indoor or outdoor use
- Mounting hardware included

Specifications

- Dimensions: (D) 14.25 in x (W) 23.63 in x (H) 38 in
- Weight: 56lbs / 25.4kg

Ordering Information

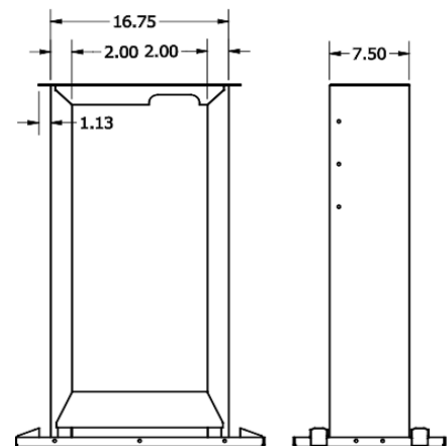
Description	SKU
DCWB Pedestal A for ICE-30 and ICE-22 V2X	RA-DCP-D1-A



Core Pedestal
(shown with ICE-30)

Compatible Chargers

- ICE-30
- ICE-22 V2X



Core Pedestal Dimensional Drawings
(dimensions in inches)