

## Overview

The InCharge Light Bar Pedestal and cable management system improves the usability and appearance of compatible equipment and makes it even easier for users to handle, even after hours, in poor lighting or in extreme weather conditions.

This pedestal features a light bar that conveniently displays the charger's status with four color indicators.

Color	Status
Green	Available
Yellow	Currently charging
Blue	Discharging (V2X / V2G+)
Red	Error

This rugged, user-friendly pedestal enhances visibility in poor lighting and improves usability for drivers with convenient cable holsters and retractors that safeguarding the charger and its parts for years to come.

## Key Benefits

- Cable management (with 1 or 2 cable retractors) lifts charging connectors off freezing or hot pavements and prevents damage from vehicle runover
- Supports ADA requirements of existing equipment
- Slim design for ease of use even when space is limited
- Light bar indicates charger status at a glance
- Indoor or outdoor use
- Mounting hardware included

## Specifications

- Single (CCS1) or dual (CCS1-CCS1, CCS1-CHAdeMO) connector options
- Dimensions: (D) 13.38 in x (W) 37.4 in x (H) 83.8 in
- Weight: 166lbs / 75.3kg

## Ordering Information

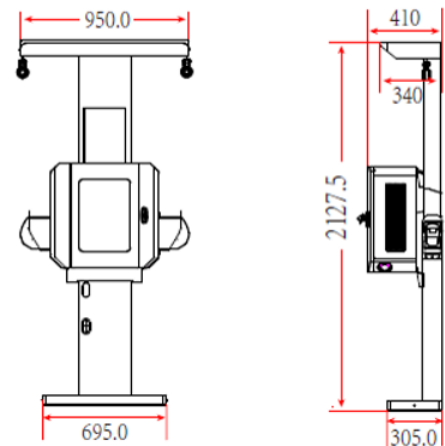
Description	SKU
DCWB Premium Pedestal 2.0	IA-DCP-D3



Light Bar Pedestal  
(shown with ICE-44 V2X)

## Compatible Chargers

- ICE-30
- ICE-22 V2X
- ICE-44 V2X
- ABB Terra 24 (backplate required)



Light Bar Pedestal Dimensional Drawings  
(dimensions in mm)