

Overview

The InCharge Light Bar Pedestal and cable management system improves the usability and appearance of compatible equipment and makes it even easier for users to handle, even after hours, in poor lighting or in extreme weather conditions.

This pedestal features a light bar that conveniently displays the charger's status with four color indicators.

Color	Status
Green	Available
Yellow	Currently charging
Blue	Discharging (V2X / V2G+)
Red	Error

This rugged, user-friendly pedestal enhances visibility in poor lighting and improves usability for drivers with convenient cable holsters and retractors that safeguarding the charger and its parts for years to come.

Key Benefits

- Cable management (with 1 or 2 cable retractors) lifts charging connectors off freezing or hot pavements and prevents damage from vehicle runover
- Supports ADA compliance of existing equipment
- Slim design for ease of use even when space is limited
- Light bar indicates charger status at a glance
- Indoor or outdoor use
- Mounting hardware included

Specifications

- Single (CCS1) or dual (CCS1-CCS1, CCS1-CHAdeMO) connector options
- Dimensions: (D) 13.38 in x (W) 37.4 in x (H) 83.8 in
- Weight: 166lbs / 75.3kg

Compatible Chargers

- ICE-30
- ICE-60 DC Wallbox
- ICE-22 V2X
- ICE-44 V2X
- ABB Terra DC Wallbox (backplate required)

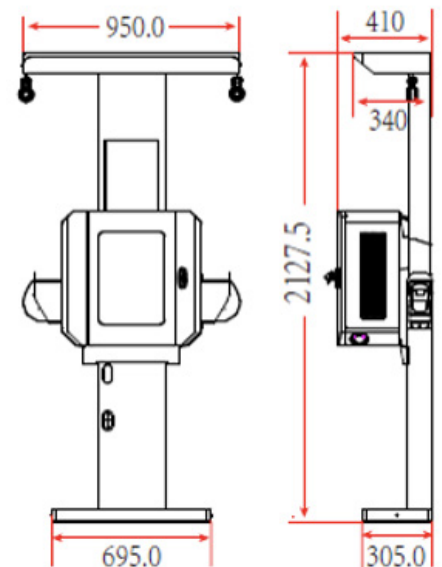
Ordering Information*

Product Code	Product Configuration
IA-DCP-D3-V2	Light Bar Pedestal for ICE-30, ICE-22 V2X, ICE-44 V2X, ICE-60 DCWB with Cable Retractors
IA-DCP-D3-ABB-V3	Light Bar Pedestal for ABB with Cable Retractors

*Please note, the variants listed are representative and may not be a comprehensive list of available options. Consult with your InCharge Energy sales representative.



Light Bar Pedestal (shown with ICE-44 V2X)



Dimensional Drawings (dimensions in mm)